



**SIERRACIN CORPORATION**

# BOEING B-757

Cockpit Windows



B757 #2 Cockpit Window (P/N 141N4810)



B757 #3 Cockpit Window (P/N 141N4820)

## Benefits & Advantages of Sierracin and All-Acrylic Cockpit Windows

Original Equipment Supplier (OEM) in Business Over 50 Years.

Lighter Weight. Longer Service Life. REPAIRABLE.

PMA New Parts Manufactured Under License. OEM Quality at PMA Cost.

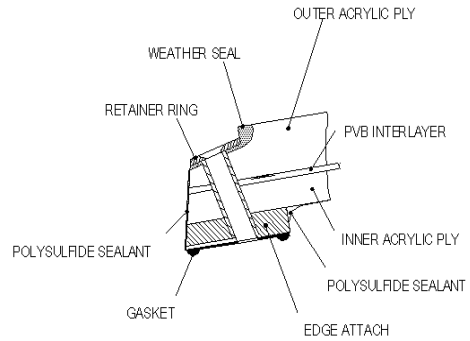
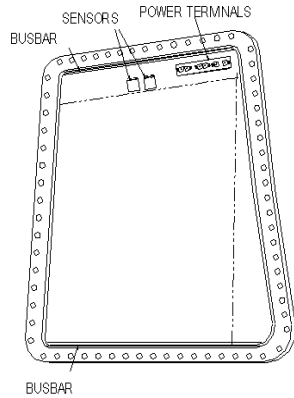
Overhauled Parts: Upgraded to Latest Configuration. Like-New Quality with New Part Warranty. Low Overhaul Cost.

# BOEING B-757

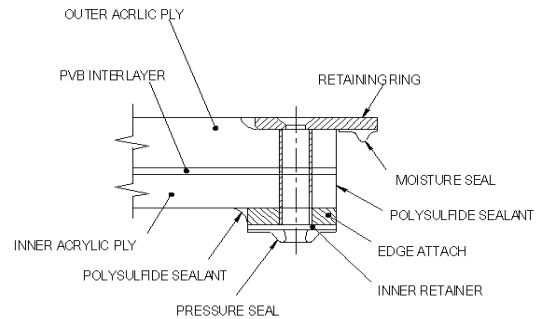
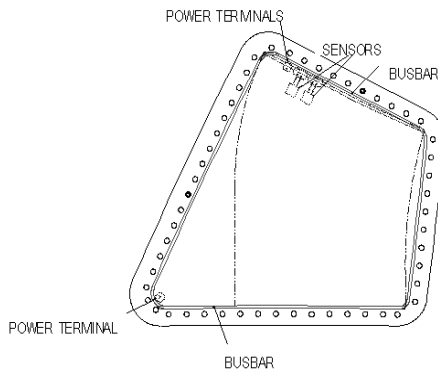


## Cockpit Windows

### B757 #2 Sliding Cockpit Window (P/N 141N4810)



### B757 #3 Fixed Cockpit Window (P/N 141N4820)



| Description                     | OEM Part No.             | Sierracin Part No. | Products & Services Available |
|---------------------------------|--------------------------|--------------------|-------------------------------|
| #2 Side Window (Slider)         | 141N4810-13/-14*         | 179100-01/-02      | PMA New, Overhaul             |
| #2 Side Window (Slider), Framed | 141N0012-*               | N/A                | Overhaul                      |
|                                 | 141N4850-59/-60/-65/-66* | N/A                | Overhaul                      |
|                                 | 012N8771-5/-6*           | N/A                | Overhaul                      |
| #3 Side Window (Fixed)          | 141N4820-3/-4*           | 141N4820-3/-4      | PMA New, Overhaul             |

\*And all other dash numbers.



SIERRACIN CORPORATION  
12780 San Fernando Road  
Sylmar, California USA 91342

Tel +1.818.741.1637  
Fax +1.818.362.7801

cust-serve@sierracin.com

www.sierracin.com

#### APPROVALS AND AUTHORIZATIONS

- B-757 Original Equipment Supplier
  - ISO 9001/AS9100 Certificate No. 3204
  - FAA Repair Station Certificate No. UO3R900L
  - Repair Manual ME-93-066
  - Part Manufacturing Authority (PMA) No. PQ0115NM
  - JAA Certificate No. 4867
  - China Civil Aviation Regulation Certificate No. F.5341
  - Republic of Indonesia Limited Airframe Certificate No. 58/40200
- STANDARD WARRANTY: 3 Years (2 Years in Service)  
TURNAROUND TIME: 30 Days After Receipt of Order and/or Window

©Copyright 2003-2004 Sierracin Corporation. All Rights Reserved. No. DS-402 .