




Technical Data Sheet

V6000V

July 2022

INTERNATIONAL MASTER
FOR PROFESSIONAL USE ONLY

TURBO VISION® Premium Matt, Semi-Matt and Semi-Gloss Topcoats

Product	Description
P650-1000	Premium EHS High Flow Binder
P650-1010	Premium High Build Binder
P650-6000	Premium Matt Binder
P600-9xxx	Coloured Tinters
P210-7644	EHS Hardener - Standard
P852-6442	EHS Thinner - Slow
P852-6444	EHS Thinner - Medium
P852-6446	EHS Thinner - Fast

Product Description

Turbo Vision Premium Matt Binder has been optimised to deliver an even and deep matt finish for Commercial Transportation Vehicles for both builders and repairers.

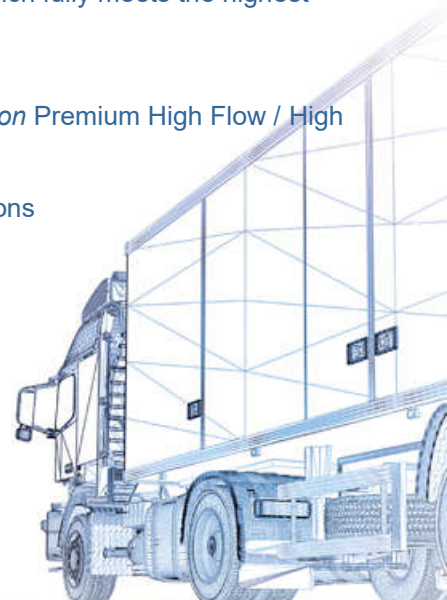
Turbo Vision Premium Matt Binder can be blended with *Turbo Vision* High Flow and High Build 2-pack EHS Binders to obtain all ranges of gloss levels from the mattiest to the glossiest, keeping the ease of spraying and providing high opacity, outstanding general appearance with long term durability, which fully meets the highest standards demanded by fleet market.

Thanks to the selection of ancillaries, *Turbo Vision* Premium Matt Binder, *Turbo Vision* Premium High Flow / High Build EHS Topcoats and their blends:

- can be used from small to large area in a wide range of temperature conditions
- can be baked at low temperature or left airdry

THESE PRODUCTS ARE FOR PROFESSIONAL USE ONLY.

Nexa Autocolor and design and *Turbo Vision* are registered trademarks of PPG Industries Ohio, Inc.
© 2017 PPG Industries, Inc. All rights reserved.



TURBO VISION®

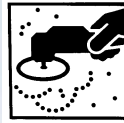


Substrates and Preparation

Prepare the Substrate as follows:

Substrates:

- Original finishes and work in sound condition need to be degreased, cleaned and dry sanded with P320-P400 or (P600 wet) prior to topcoat application.
- Steel, Aluminum, GRP & Zinc coated steel need to be pre-primed with the appropriate primer in order to ensure correct intercoat adhesion and substrate protection.
- TURBO VISION® Premium High Flow EHS Topcoat and are TURBO VISION® Premium Matt Binder are suitable over all Nexa Autocolor primers, surfacers and sealers.



Cleaning:

The substrate to be painted must be dry, clean, free of corrosion, grease & mould release agents.

Substrates need to be thoroughly wiped using the appropriate degreaser (P850-1367 Degreaser & P850-1378 Spirit Wipe or P980-9010 low V.O.C cleaner)



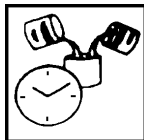
Process

Conventional, Low Pressure and Pressure Pot Applications



Mixing Ratio by Volume:

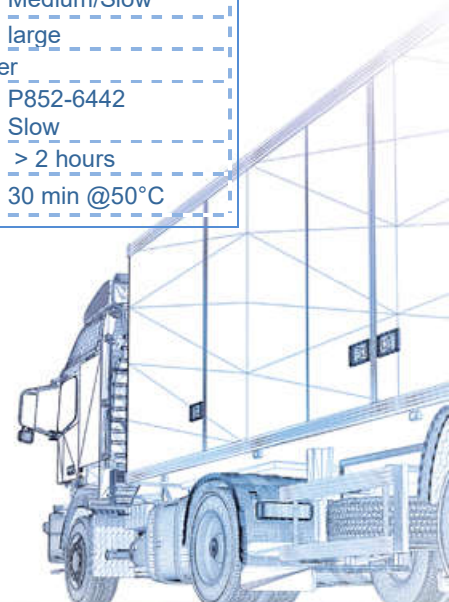
Gloss 60° angle:	High Gloss: >90%	Semi-Matt to Semi-Gloss 40 to 85%	Matt 5 to 35%
<i>Turbo Vision</i> Topcoat	2	3	4
P210-7644 hardener	1	1	1
P852-644x thinner	0,8-1,2	1,5-2	2-2,8



Temperature	20-25°C	20-25°C	20-25°C
Combination	Medium/Fast	Medium/Medium	Medium/Slow
Job size	small	medium	large
Hardener	P210-7644 Standard Hardener		
Thinner	P852-6446 Fast	P852-6444 Medium	P852-6442 Slow
Potlife	> 2 hours	> 2 hours	> 2 hours
Baking schedule	30 min @50°C	30 min @50°C	30 min @50°C

THESE PRODUCTS ARE FOR PROFESSIONAL USE ONLY.

Nexa Autocolor and design and Turbo Vision are registered trademarks of PPG Industries Ohio, Inc.
© 2017 PPG Industries, Inc. All rights reserved.



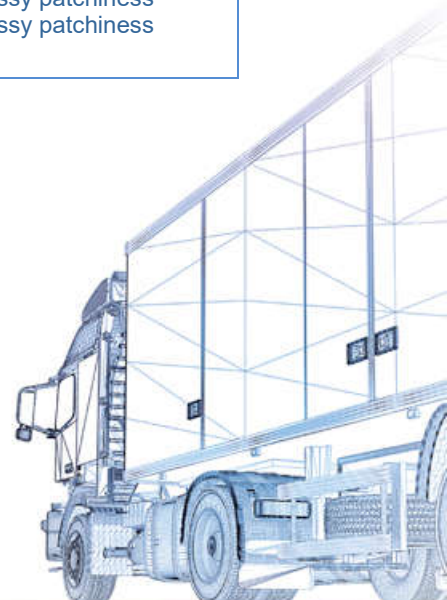
TURBO VISION®



Process	
Conventional, Low Pressure and Pressure Pot Application	
	Spray Viscosity at 20°C: 18-22 seconds DIN4
	1,3-1,5 mm Gravity or suction feed at 2.0-2,4 bars OR 0,8-1mm Pressure Pot Air Cap Pressure: 0.68 bar Paint Pressure : 0.3-1.0 bar Fluid flow rate: 280-320 cc/min
	Number of Coats <u>2 coats:</u> 1 Medium closed coat + 1 Full coat Dry Film Thickness: 40 – 50 µm
	<u>2 coats:</u> Flash-Off between coats: until the finish is fully even without any glossy patchiness Flash-Off before bake: until the finish is fully even without any glossy patchiness

THESE PRODUCTS ARE FOR PROFESSIONAL USE ONLY.

Nexa Autocolor and design and Turbo Vision are registered trademarks of PPG Industries Ohio, Inc.
 © 2017 PPG Industries, Inc. All rights reserved.



TURBO VISION®

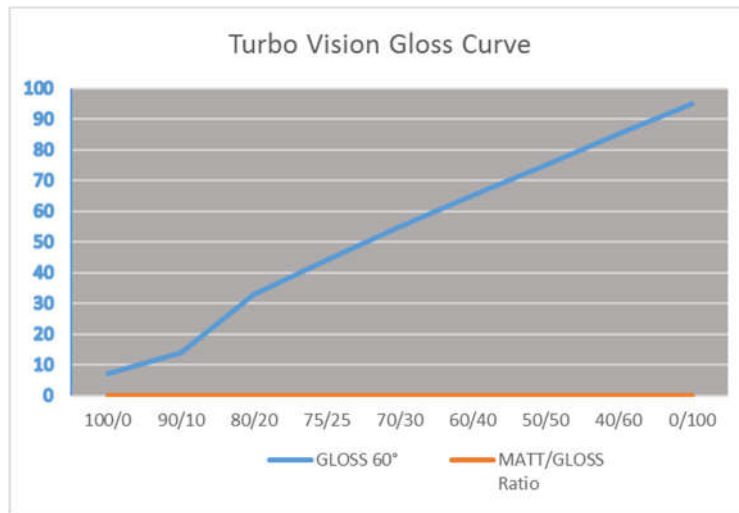


Matting Chart

MIXING RATIOS:

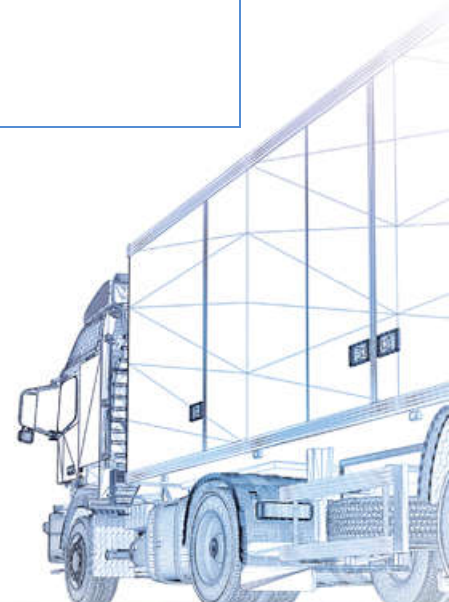
FOR WHITE COLOURS			FOR OTHER COLOURS			Activation RATIO (by volume)	GLOSS 60°	MATT/ GLOSS Ratio
P650-6000 MATT Binder quantity (by weight)	P650-1000 or P650-1010 Gloss Binder Quantity (by weight)	Toners quantity (by weight)	P650-6000 MATT Binder quantity (by weight)	P650-1000 Or P650-1010 Gloss Binder Quantity (by weight)	Toners quantity (by weight)			
60	-	40	70	-	30	4:1:2-2,8	<10	100/0
54	6	40	63	7	30	4:1:2-2,8	10-25	90/10
48	12	40	56	14	30	4:1:2-2,8	25-40	80/20
45	15	40	52	18	30	3:1:1,5-2	40-50	75/25
42	18	40	49	21	30	3:1:1,5-2	50-60	70/30
36	24	40	42	28	30	3:1:1,5-2	60-70	60/40
30	30	40	35	35	30	3:1:1,5-2	70-80	50/50
24	36	40	28	42	30	3:1:1,5-2	80-90	40/60
-	40	60	-	40 to 60	40 to 60	2:1:0,8-1,2	>90	0/100

MATTING CURVE:



THESE PRODUCTS ARE FOR PROFESSIONAL USE ONLY.

Nexa Autocolor and design and Turbo Vision are registered trademarks of PPG Industries Ohio, Inc.
© 2017 PPG Industries, Inc. All rights reserved.



TURBO VISION®



Colour

COLOUR MIXING

All Tinters should be thoroughly hand stirred when first opened, and then stirred on a mixing machine for 10 minutes before use. Thereafter all tinters should be machine stirred twice a day for at least 10 minutes.

COLOUR CHECKING

As with all refinish paint systems, a colour check should be carried out before painting the vehicle.

General Process Notes

RECOAT

TURBO VISION® Premium High Flow / High Build EHS and TURBO VISION® Premium Matt Topcoats can be recoated by themselves within 8 hours without sanding. If baked, or air dried longer than 8 hours, the topcoat should be sanded before recoating

DECAL APPLICATION

It is recommended that TURBO VISION® Premium High Flow EHS and TURBO VISION® Premium Matt Topcoats are allowed to cure for at least one week prior to any decal application.

COVERAGE

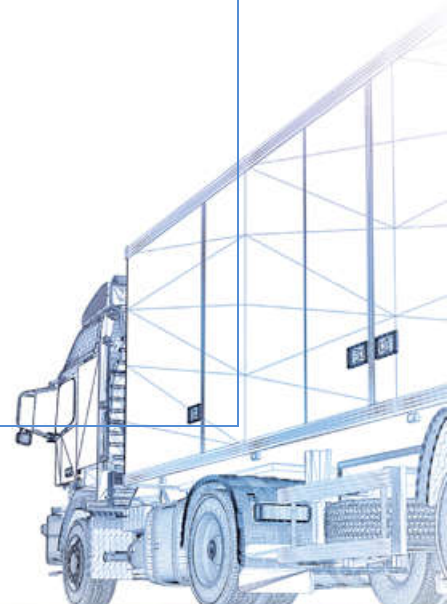
Approximately 12 to 14m² (to be calculated accurately) per litre of ready for use paint at a dry film thickness of 50 microns depending on thinning ratio used.

OTHER POINTS TO NOTE

Allow finishes to harden thoroughly before subjecting to vehicle washes. This can take a number of weeks if vehicles are air-dried in cold conditions and/or paint film thickness is excessively high.

THESE PRODUCTS ARE FOR PROFESSIONAL USE ONLY.

Nexa Autocolor and design and Turbo Vision are registered trademarks of PPG Industries Ohio, Inc.
© 2017 PPG Industries, Inc. All rights reserved.



TURBO VISION®



STORAGE

Mixing Room Temperature:

Store P600-xxxx Tinters in the Mixing Room between the following temperatures: 18 to 25°C.

Storage Temperature:

Store P600-xxxx Tinters between the following temperatures: 5 to 35°C (41 to 95°F).

Store in accordance with local regulations. Store in original container protected from direct sunlight in a dry, cool and well-ventilated area, away from incompatible materials and food and drink. Keep container tightly closed and sealed until ready for use.

Containers that have been opened must be carefully resealed and kept upright to prevent leakage.

Do not store in unlabelled containers. Use appropriate containment to avoid environmental contamination. Always refer to the material Safety Data Sheet.

VOC INFORMATION

The EU limit value for TURBO VISION® Premium High Flow / High Build EHS Topcoat (product category: IIB.d) in ready to use form is max. 420g/litre of VOC. The VOC content of this product in ready to use form is max. 420g/litre.

The EU limit value for TURBO VISION® Premium Matt Topcoat (product category: IIB.e) in ready to use form is max. 840g/litre of VOC. The VOC content of this product in ready to use form is max. 840g/litre.

Depending on the chosen mode of use, the actual ready to use VOC of these products may be lower than that specified by the EU Directive code.

These products are for professional use only, and are not to be used for purposes other than those specified. The information on this TDS is based on present scientific and technical knowledge, and it is the responsibility of the user to take all necessary steps in order to ensure the suitability of the product for the intended purpose.

For Health and Safety information please refer to the material Safety Data Sheet, also available at: http://www.ppg.com/Autocolor_MSDS

For further information please contact:

Customer Service Sales Group
PPG Industries (UK) Ltd
Needham Road
Stowmarket
Suffolk IP14 2AD

Tel: 01449 771771

Fax: 01449 773472

THESE PRODUCTS ARE FOR PROFESSIONAL USE ONLY.

